



REPLY TO
ATTENTION OF

DEPARTMENT OF THE ARMY
THE INSTITUTE OF HERALDRY
9325 GUNSTON ROAD, ROOM S112
FORT BELVOIR, VIRGINIA 22060-5579

AAHS-IHS (840-10a)

05 JUN 2013

MEMORANDUM FOR Commander, 27th Engineer Battalion, ATTN: S1 (CPT Asoh),
4235 Essayons Drive, Stop A, Fort Bragg, NC 28310-5000

SUBJECT: Beret Flash and Background Trimming for the 919th Engineer Company

1. The beret flash and background trimming amended this date to correct the colors, was **originally authorized** for wear by members of the 919th Engineer Company by letter AAHS-IHS, The Institute of Heraldry, 28 May 2013.
2. The descriptions of the designs are as follows:

BERET FLASH

A scarlet shield-shaped embroidered item with a semi-circular base 2 1/4 inches (5.72 cm) in height and 1 7/8 inches (4.76 cm) in width overall with a 1/8 inch (.32 cm) scarlet notch on each side at horizontal center line, edged with a 1/8 inch (.32 cm) black inner border and a 1/8 inch (.32 cm) white outer border.

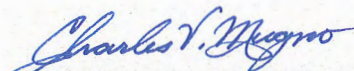
BACKGROUND TRIMMING

A scarlet oval-shaped embroidered item 1 3/8 inches (3.49 cm) in height and 2 1/4 inches (5.72 cm) in width overall with a 1/8 inch (.32 cm) scarlet notch on each side at horizontal center line, edged with a 1/8 inch (.32 cm) black inner border and a 1/8 inch (.32 cm) white outer border.

CABLE NUMBERS OF COLORS

Black	#67138
White	#67101
Scarlet	#67111

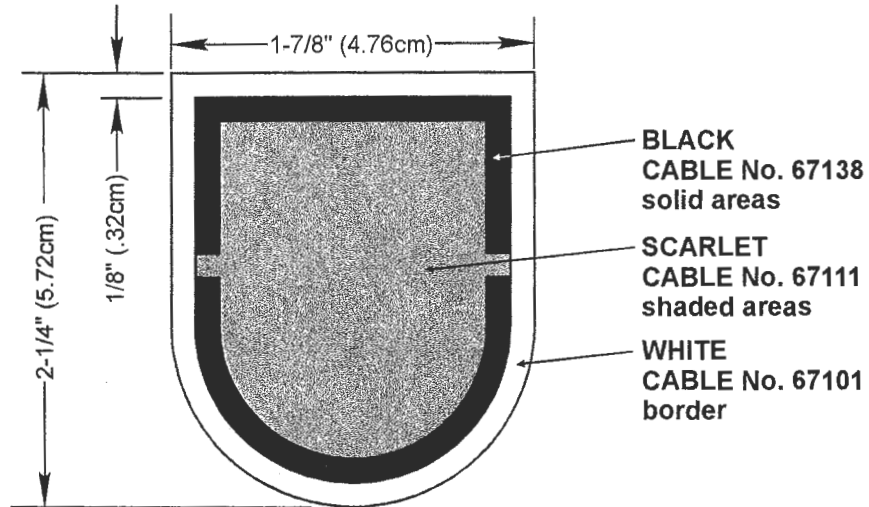
3. This authorization does not grant exclusive use of the above colors and pattern design for the 919th Engineer Company.


CHARLES V. MUGNO
Director

CF: CMH

REVISIONS

LTR	DESCRIPTION	DATE	APPROVED
C	SILVER GRAY CHANGED TO WHITE.	30 MAY 2013	<i>Charles V. Mugno</i> CHARLES V. MUGNO DIRECTOR



DESIGNED FOR OVEREDGE STITCHING

UNLESS OTHERWISE SPECIFIED DIMENSIONS ARE IN INCHES
TOLERANCES ON FRACTIONS DECIMALS ANGLES

MATERIALS:
TO BE MANUFACTURED IN ACCORDANCE WITH MIL-DTL-14652

EXAMINED	TLC	
CHECKED	pm	SAO
PREPARED	CLH	

APPROVED
Charles V. Mugno
CHARLES V. MUGNO
DIRECTOR

THE INSTITUTE OF HERALDRY, DEPARTMENT OF THE ARMY
9325 GUNSTON RD, RM S-113 FORT BELVOIR, VA 22060-5579

BERET FLASH FOR

919TH ENGINEER COMPANY

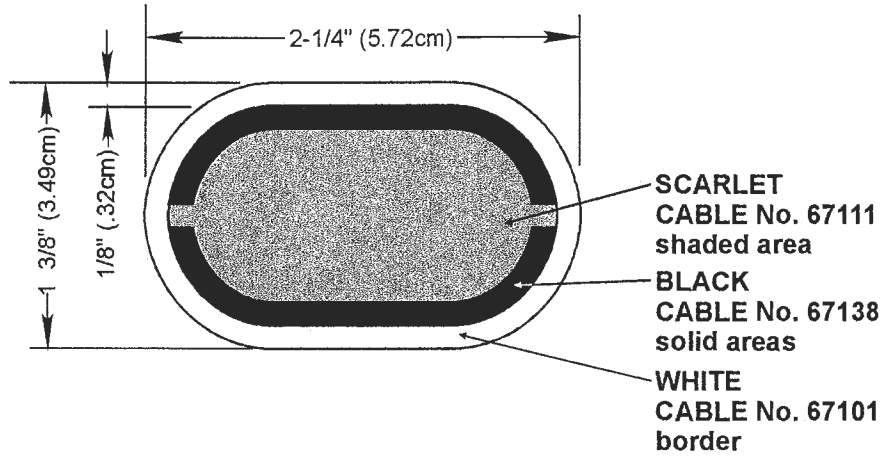
SIZE CONTROL IDENT. NO
A 22571

A-4-285

SCALE FULL DATE **21 MAY 2013**

REVISIONS

LTR	DESCRIPTION	DATE	APPROVED
C	SILVER GRAY CHANGED TO WHITE.	30 MAY 2013	<i>Charles V. Mugno</i> CHARLES V. MUGNO DIRECTOR



DESIGNED FOR OVEREDGE STITCHING

UNLESS OTHERWISE SPECIFIED DIMENSIONS ARE IN INCHES
TOLERANCES ON FRACTIONS DECIMALS ANGLES

MATERIALS:
TO BE MANUFACTURED IN ACCORDANCE WITH MIL-DTL-14652

EXAMINED	TLC	
CHECKED	pm	SAC
PREPARED	CLH	
APPROVED		
<i>Charles V. Mugno</i> CHARLES V. MUGNO DIRECTOR		

THE INSTITUTE OF HERALDRY, DEPARTMENT OF THE ARMY
9325 GUNSTON RD, RM S-113 FORT BELVOIR, VA 22060-5579

BACKGROUND TRIMMING FOR
919TH ENGINEER COMPANY

SIZE	CONTROL IDENT. NO	A-6-310
A	22571	
SCALE	FULL	DATE
		21 MAY 2013

